

In This Issue

[Isolated 1-Wire Serial Bus](#)

[Upcoming Exhibitions](#)

Quick Links

[Sensor Selector Guide](#)

[Isolator Selector Guide](#)

[Online Store](#)

[Contact Us](#)

New Products

[IL821T-3E Top-of-the-Line 2-Channel Bidirectional Isolator](#)

[IL814T-3E Top-of-the-Line 3-Channel Bidirectional Isolator](#)

Halloween Application Corner

Isolating a One-Wire Serial Bus Doesn't Have to Be Scary

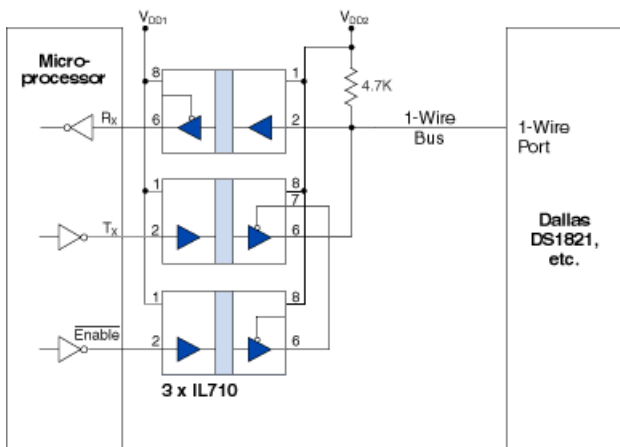


You know you should isolate your one-wire serial bus for safety and noise immunity, but you're afraid it's going to be too complicated?

With their small size, high input impedance, and output enable pins, IL700-Series Isolators are ideal for isolating one-wire bidirectional serial busses.

These busses are common for sensors and controls. Isolation can reduce noise and increase transmission distance.

The following illustration is for a remote thermostat, but the circuit can be with a wide range of ICs:




The top and bottom isolators in the diagram could be combined into one IL712 rather than two IL710s to reduce the chip count even more.

IL710 and IL712 Isolators are available in [MSOP packages](#) to minimize board space.

Buy Online
\$9.95 shipping

Upcoming Exhibitions

 **Vienna-tec**® NVE's new top-of-the-line IsoLoop [IL800-Series isolated isolators](#) will be featured by Hy-Line Power Components at **Vienna Tec**, October 9 to 13 at *Messe Wien* in Vienna, Austria.

Also in cooperation with Hy-Line Power Components, IsoLoop Isolators will be on display at **SPS IPC Drives**, November 26 to 28 in Nuremberg, Germany. SPS IPC Drives is billed as Europe's leading exhibition for electric automation.

