

In This Issue

- [Online Store Expands](#)
- [New Voicemail](#)
- ["Hot" Product](#)
- [Halloween Apps Corner](#)

Quick Links

- [Sensor Selector Guide](#)
- [Isolator Selector Guide](#)
- [Online Store](#)
- [Contact Us](#)

In the News

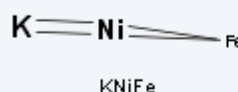
NVE was prominently covered in a recent *EDN* cover story, "Draw the line: Isolation shields systems from shocking surprises."

“You must design isolation into your circuits if you want to ensure user safety, eliminate ground loops, and reduce noise.”

—EDN

[<More Isolator News>](#)

Fun Formulas



NVE News

Online Store Expands

More parts were recently added to the NVE [online store](#), including more magnetic digital switches and RoHS-compliant parts.

The online store now includes over 200 of the industry's best sensors and isolators, plus evaluation kits, magnets, and peripheral ICs.

Virtually all parts are in stock and available for same-day shipment.

As always, there's no minimum order and no handling charge, and most orders qualify for \$9.95 flat rate shipping within North America.

Customers outside North America can order through our extensive [worldwide distribution network](#).

Buy Online
\$9.95 shipping
(U.S. America Only)

New Central Voicemail



A new voicemail system is handling NVE's increasing customer call volume and allowing fast call self-routing. The expanded main menu options include direct access to the Sensor and Isolator applications desks.

Our North America customer hotline number remains **(800) GMR-7141**. Customer options are:

Hotline Option	Department
1	Sensor Sales
2	Sensor Applications
3	Isolator Sales
4	Isolator Applications

The current background music highlights NVE's unique combination of magnetics and electronics, which provides unprecedented miniaturization, precision, speed, and ruggedness:

Song	Artist	Lyrics
It's a Magnet	Dorothy Collins	
Electricity	Tom Glazer & Dottie Evans	

We're committed to making sure you don't listen to hold music for long. So if you just want to hear the new background music without talking to anyone, call our automated attendant at (952) 996-1639 and select option 9.

"Hot" Product

T-Series High-Temperature Isolators *because the world's not always cool...*

IL700T-Series high-temperature digital isolators operate to 125°C with no derating. The devices are 100% tested at temperature and proven in the most demanding demanding military, aerospace, and industrial applications.



Other features include:

- 110 Mbps Data Rate
- 2 ns Typical Pulse Width Distortion
- 3.3 V or 5.5 V Power Supply
- 2.5 kVrms Isolation (1 min.)
- UL1577 & IEC 61010-1 Approved
- MSOPs; 0.3" and 0.15" SOIC-16

All part types are [in stock](#) and available for same-day shipment, with no minimum order.

Part Number	Temp.	Transmit Channels	Receive Channels	Packages
IL710T	125°C	1	0	MSOP-8, SOIC-8, PDIP-8
IL711T	125°C	2	0	MSOP-8, SOIC-8, PDIP-8
IL712T	125°C	1	1	MSOP-8, SOIC-8, PDIP-8
IL715T	125°C	4	0	0.15" SOIC-16, 0.3" SOIC-16
IL716T	125°C	2	2	0.15" SOIC-16, 0.3" SOIC-16
IL717T	125°C	3	1	0.15" SOIC-16, 0.3" SOIC-16

Buy Online
\$9.95 shipping
(U.S. America Only)

Halloween Application Corner

Isolating Scary Voltages



By [Sandy "the Count" Templeton](#)
Director, Isolator Product Development and Applications

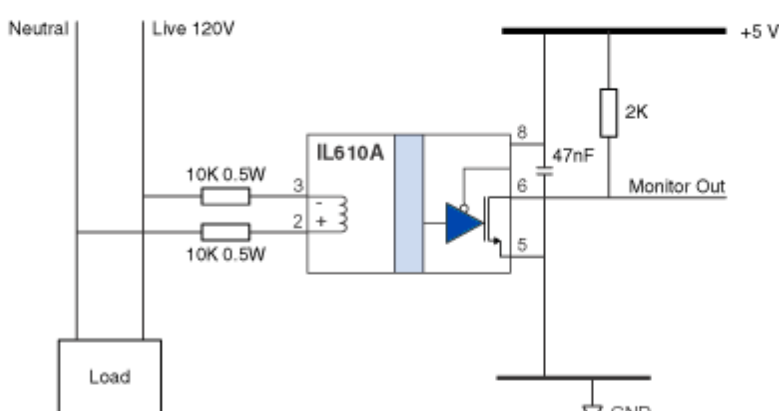
Witches, werewolves, vampires, and line voltage top the list of things electronic designers don't want to deal with.

Fortunately we have the silver bullet for line-voltage interfaces: isolators.

But not just any isolators. Optocouplers can wear out and may be damaged by ac inputs. Digital-input isolators are tricky to interface to high voltage.

IL600-Series passive input isolators provide immortality and require only simple resistive current limiting to interface to virtually any input voltage.

In this illustrative circuit, "Monitor Out" goes low when line voltage exceeds approximately 100 V, and high when line voltage drops below approximately 10 V:



Isolated 120 VAC Line Monitor

An open-drain output version is shown for added flexibility handling output voltage goblins.

So happy Halloween, and don't let line voltage ghosts scare you.

[<IL600-Series Selector Guide>](#)