

**In This Issue**

[2014 New Products](#)

[YouTube](#)

[Flowmeter Video](#)

[Switching Supplies](#)

**Quick Links**

[Sensor Selector Guide](#)

[Isolator Selector Guide](#)

[Online Store](#)

[Contact Us](#)

**New Documents**

[Application Bulletin AB-25](#)

New 2.5 kV MSOP isolators allow denser, more precise, and more reliable Switching-Mode Power Supplies.

**Year-End New Product Issue**

**2014** was a remarkable year for new products at NVE. Highlights include new current and angle sensors, and isolators that are faster, smaller, and more rugged:



**TMR Angle Sensors**

Low power, large output signal, quadrature outputs, 0.5° maximum error, 40 kilohm and 1.25 megohm versions, 2.5 mm x 2.5 mm TDFN.



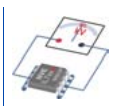
**5 Amp Isolated Current Sensors**

Best-in-class performance in a SOIC8 package: ±5 A input range; total error <0.5%; 300 Working Voltage (line voltage).



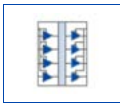
**V-Series 5 kV Wide-Body Isolators**

Best-in-class high-voltage performance with 5 kVrms isolation, 1000 working voltage, -40°C to +125°C, >10<sup>14</sup> ohm barrier resistance, wide-body packages with True 8 mm creepage. Available in various channel configurations.



**V-Series 2.5 kV MSOP Isolators**

The world's smallest isolators are now available with full 2.5 kVrms isolation. 110 Mbps speed. Available in two-channel versions with one channel each direction or both channels the same direction.



**IL800-Series Top-of-the-Line Isolators**

More models were added to our top-of-the-line isolator family. IL800-Series Isolators are fail-safe with 110 Mbps speed and 125°C temperature range.



**QSOP 4-Channel and 5-Channel Isolators**

Miniaturization without compromise. QSOP16 package (4 mm x 5 mm, with 4 mm creepage), 110 Mbps, 50 kV/μs transient immunity, 600 Working Voltage, 2.5 kVrms isolation, and 44000 year barrier life.



**IL3085-1E and IL41050TA-1E QSOP transceivers**

The world's smallest isolated RS-485 and CAN transceivers in a 16-pin, 4 mm x 5 mm QSOP package.

**NVE YouTube Channel**

**YouTube** NVE's popular technical videos are now also on a new [YouTube Channel](#).

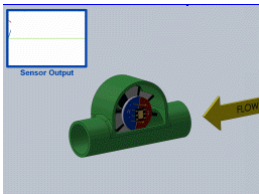
The animated videos cover spintronic technology, as well as sensor and isolator products. Their clear content and geeky "humor" have won rave reviews.

Subscribe to the channel to stay up-to-date and build our [actors'](#) egos.

**New Video**

**Water Meter Flow Sensors**

A new video "turns" to Jayne to demonstrate AAT-Series high-output Tunneling Magnetoresistors (TMR) angle sensors in water meter flow sensing applications.



AAT001 and AAT003 TMR angle sensors offer high output without amplification, wide air-gap tolerance, 40 kilohms or 1.25 megohm versions for low power, and an ultraminiature TDFN6 package.

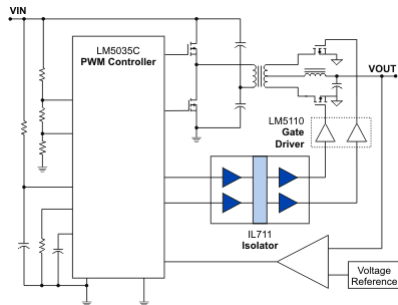
[N Play in NVE Website](#)

[Play in YouTube](#)

**Application Corner**

**Switch-Mode Power Supply Gate Driver with an IL711 Isolator**

An IL711 is ideal for isolating a PWM Controller from the MOS gate driver for synchronous rectification. The IL711's 0.3 ns pulse-width distortion and 100 ps jitter improve precision, minimize MOSFET dead time, and maximize system efficiency.



Low EMI, transient immunity of 50 kV/μs, and barrier life of 44000 years make IsoLoop isolators ideal for this application.

Two new IL711 versions are popular in this application:

- The [IL711V-1E](#) has both channels and full 2.5 kV isolation in an ultraminiature MSOP-8 package for the smallest power supplies.
- The wide-body [IL711VE](#) provides 5 kV isolation and best-in-class 1 kV Working Voltage in a true 8 mm creepage package.

[Reference Design >](#)

[Application Bulletin \(.pdf\) >](#)

[Product Datasheets >](#)

**Buy Online**  
\$9.95 shipping